

# 2MP WDR Starlight Network Box Camera

## IPC542E-DUG



## Key Features

### Optics

- HD starlight surveillance
- Auto day/night functionality
- Up to 120 dB WDR(Wide Dynamic Range)
- 3D DNR (Digital Noise Reduction)

### Compression

- Triple streams
- ROI (Region of Interest)
- 9:16 corridor format

### Network

- Optional network interfaces with Ethernet RJ45 and optical SFP (for -DUG)
- ONVIF Conformance

### Structure

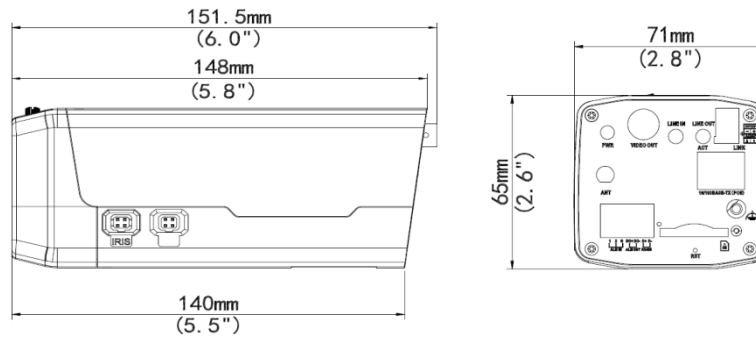
- AC 24V /DC 12 V/PoE with uninterruptible power supply
- Wide temperature range: -20°C to 60°C (-4°F to 140°F)
- Wide voltage range of  $\pm 25\%$
- 6 KV surge protection designed for network interface

## Specifications

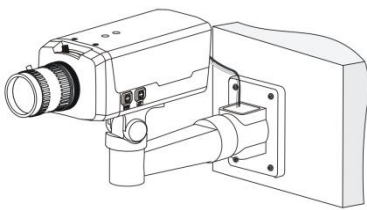
IPC542E-DUG	
<b>Camera</b>	
Sensor	1/1.9" CMOS, progressive scan
Shutter	Auto/Manual, 1/6~1/8000 s
Min. Illumination	Colour: 0.002 Lux (F1.2, AGC ON) 0 Lux with IR
Lens Mount	C/CS
DC-Iris	DC 4V (4-Pin)
Motor Zoom/focus	DC 5V (4-Pin)
Day/Night	Automatically removable IR-cut filter(ICR)
S/N	>52dB
WDR	120dB
<b>Video</b>	
Max. Resolution	1920 × 1080
Video Compression	H.264, MJPEG
Frame Rate	1080P (1920×1080): Max. 30 fps; 720P (1280×720): Max. 30 fps; D1 (720×576): Max. 25 fps
Video Streaming	Triple
9:16 Corridor Mode	Supported
ROI	Supported
Defog	Digital
HLC	Supported
OSD	Up to 8 OSDs
Privacy Mask	Up to 4 areas
<b>Audio</b>	
Audio Compression	G.711
Two-way audio	Supported
<b>Storage</b>	
Edge Storage	SD, up to 128 GB
<b>Network</b>	
Protocols	L2TP, IPv4, IGMP, ICMP, ARP, TCP, UDP, DHCP, PPPoE, RTP, RTSP, RTCP, DNS, DDNS, NTP, FTP, UPnP, HTTP, HTTPS, SMTP, 802.1x
Compatible Integration	ONVIF, API
<b>Interface</b>	
Audio I/O	3.5 mm audio interface
	Input: impedance 35 k $\Omega$ ; amplitude 2 V [p-p]
	Output: impedance 600 $\Omega$ ; amplitude 2 V [p-p]
Alarm I/O	2 / 1
Serial Port	1 RS485 (support Pelco-D/P)
Network	100M Base-FX SFP+10M/100M Base-TX Ethernet
Video Output	1 BNC, impedance 75 $\Omega$ ; amplitude 1 V [p-p]
<b>General</b>	
Power	24 V AC, 12 V DC, or PoE (IEEE802.3 af)
	Power consumption: 4.8W (6.8W with ICR on)

Dimensions (L × W × H)	151.5 x 71 x 65 mm (6.0" x 2.8" x 2.6") (excluding the lens)
Weight	0.48 kg (1.1 lb)
Working Environment	-20°C ~ 60°C (-4°F ~ 140°F), Humidity ≤ 95% RH(non-condensing)

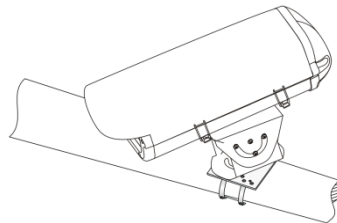
## Dimensions



## Installation



Bare mount



Housing mount

## Accessories

Installation mode	Accessories	Description
Bare mount	TR-UM06-A-IN	Indoor wall, pendant, or desktop installation
Housing mount	Indoor housing: HS-108-IN Outdoor housing: HS-215S-IN, HS-215SHB-IN	Outdoor installation
Corridor Format mount	L-shaped mount:TR-SM06-IN	/

### Zhejiang Uniview Technologies Co., Ltd.

Building No.10, Wanlun Science Park, Jiangling Road 88, Binjiang District, Hangzhou, Zhejiang, China (310051)

Email: [overseasbusiness@uniview.com](mailto:overseasbusiness@uniview.com); [globalsupport@uniview.com](mailto:globalsupport@uniview.com)

<http://www.uniview.com>

©2015 Zhejiang Uniview Technologies Co., Ltd. All rights reserved.

\*Product specifications and availability are subject to change without notice.